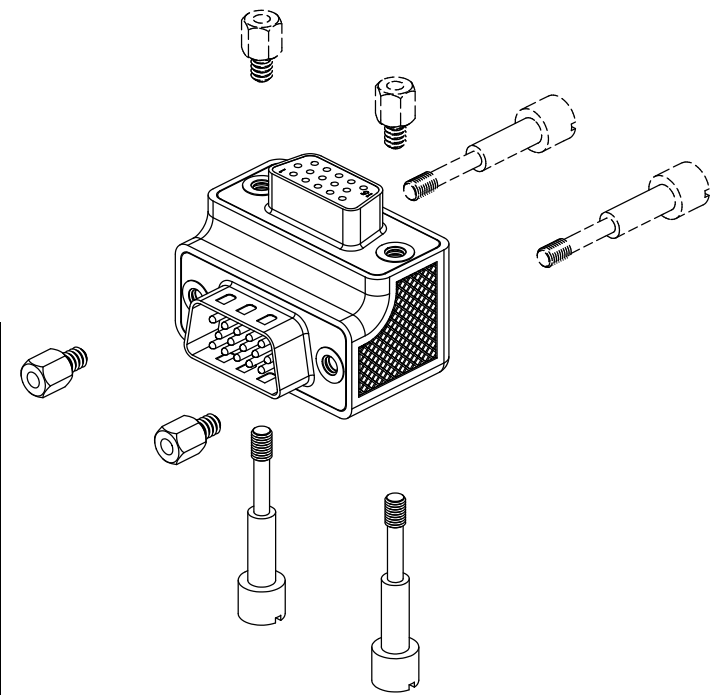
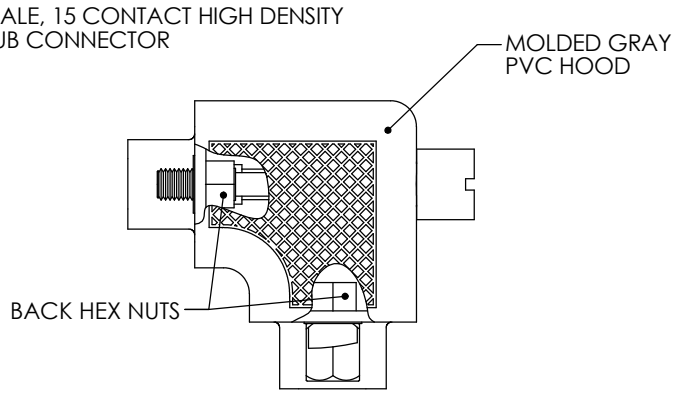
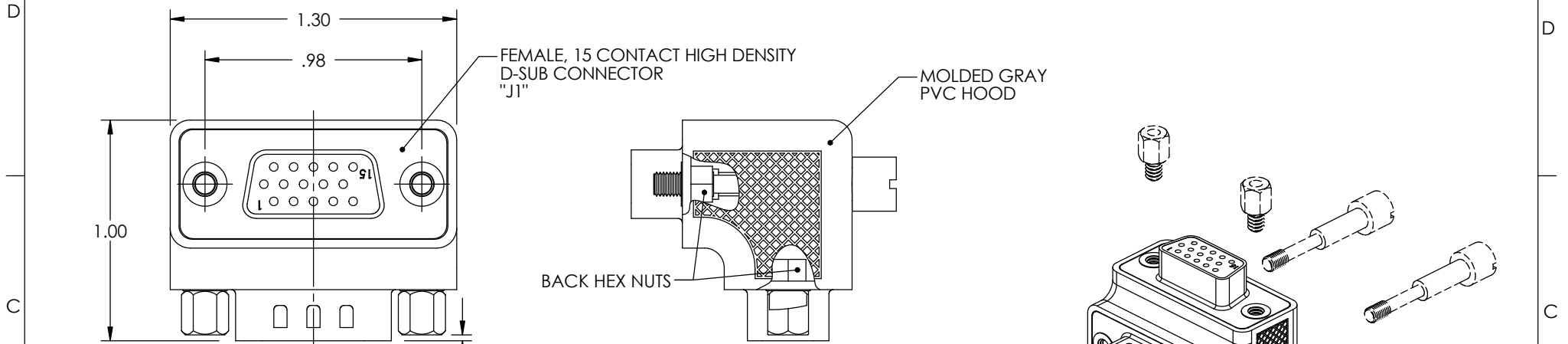
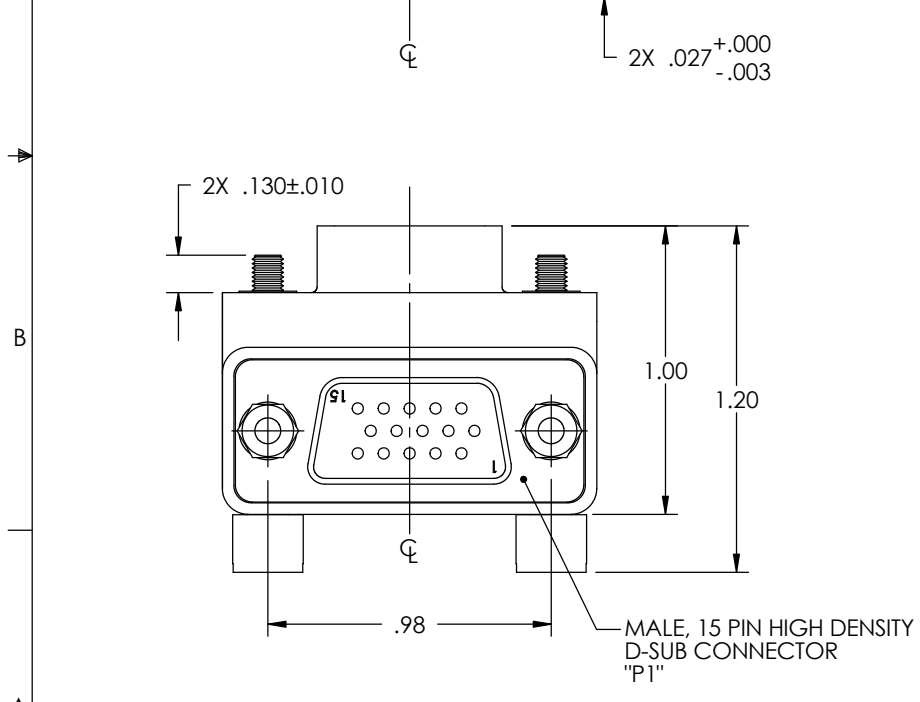


THE INFORMATION CONTAINED IN THIS DRAWING IS THE SOLE PROPERTY OF L-COM, INC. ANY REPRODUCTION IN PART OR WHOLE WITHOUT THE WRITTEN PERMISSION OF L-COM, INC. IS PROHIBITED.

REVISIONS			
REV	DESCRIPTION	DATE	APPROVED
A	INITIAL RELEASE	04/01/05	M.LAHEY
B	ECN#2094: CORRECTED WIRE TABLE	05/26/05	M.LAHEY



HARDWARE CAN BE CONFIGURED AS SHOWN ABOVE.



WIRING TABLE	
P1	J1
1	1
2	2
3	3
4	4
5	5
6	6
7	7
8	8
9	9
10	10
11	11
12	12
13	13
14	14
15	15
SHELL	SHELL

NOTE:
1. PRODUCT SHIPPED WITH HARDWARE CONFIGURED AS SHOWN ABOVE.

UNLESS OTHERWISE SPECIFIED, DIMENSIONS ARE IN INCHES. TOLERANCES ARE:
 .X ±.1
 .XX ±.05
 .XXX ±.005
 CABLE LENGTH TOLERANCE
 <300' ±5% >300' ±2%

APPROVALS	DATE
DRAWN BY M.LAHEY	04/01/05
CHECKED BY C.McCORMICK	04/01/05
APPROVED BY D.PARHAM	04/01/05

L-com
CONNECTIVITY PRODUCTS
 45 BEECHWOOD DRIVE
 NORTH ANDOVER, MA
 01845

PRODUCT DESCRIPTION
 HD15 MALE /HD15 FEMALE RIGHT ANGLE ADAPTER
 DRAWING TITLE

OUTLINE DRAWING

SIZE	FSCM NO.	DWG. NO.	REV
A	43321	DG90H15MF2-OD1	B
SCALE: 1.5:1		CAD FILE: DG90H15MF2-OD1.SLDDRW	SHEET 1 OF 1

CONFIGURATION DETAILS OF UNDIMENSIONED FEATURES MAY VARY